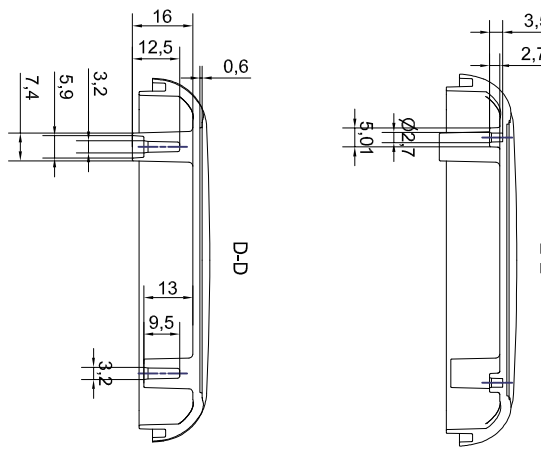
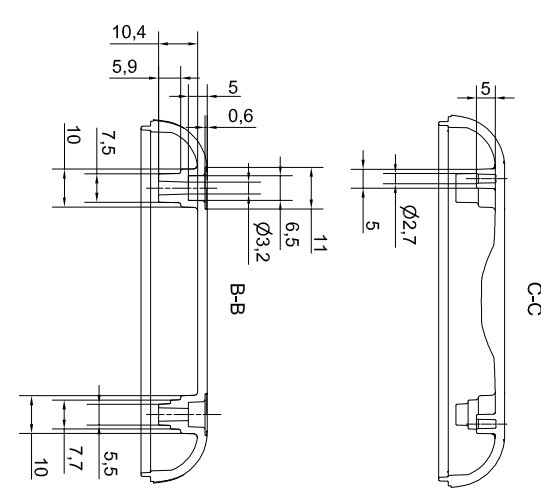
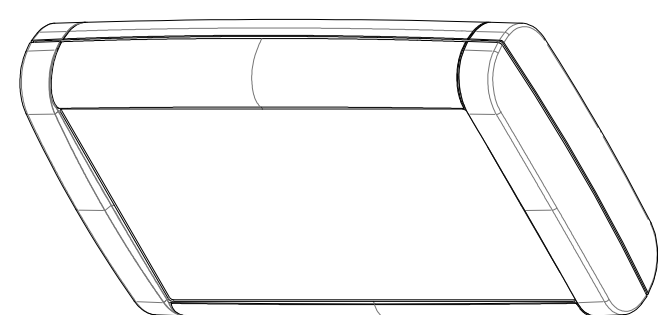
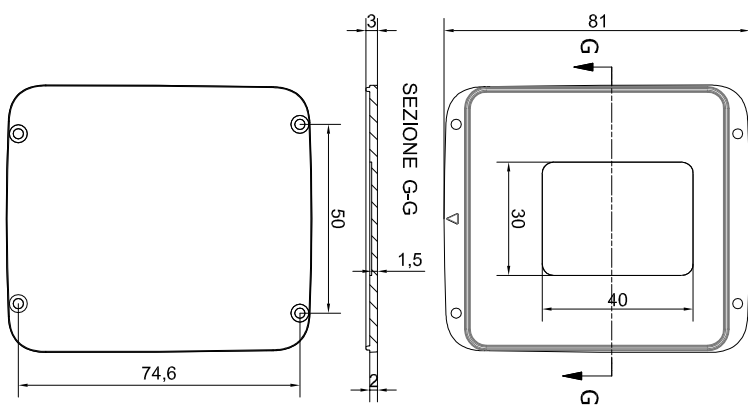
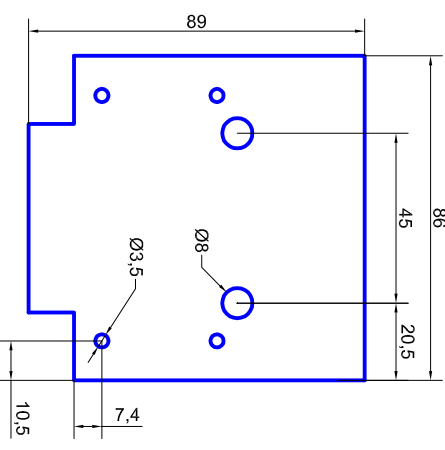


MAXIMUM PCB SIZE



<p>ENCLOSURES</p>	<p>Subject to technical modification without prior notice. Typographical and other errors do not justify any claim for damages. All dimensions should be verified using an actual moulded part.</p>	<p>Part Number</p> <p>TG22-B</p>
	<p>Assembly TG22-B</p>	<p>Scale</p> <p>1:1</p>
<p>Revision</p> <p>01</p>	<p>Date</p> <p>22/04/2008</p>	<p>Format sheet</p> <p>A2</p>

This document contains proprietary information of TEKO S.p.A. and is intended for use under the conditions that the information be retained in confidence and not be reproduced or copied.