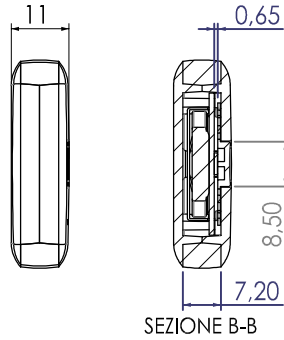
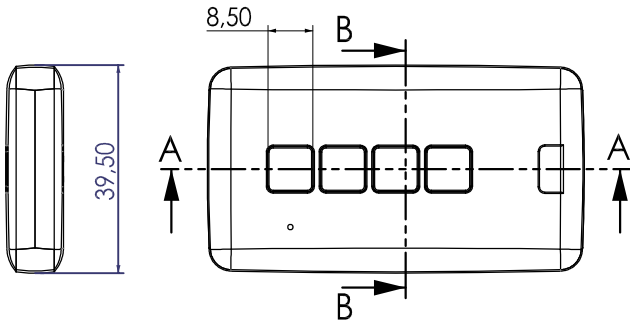
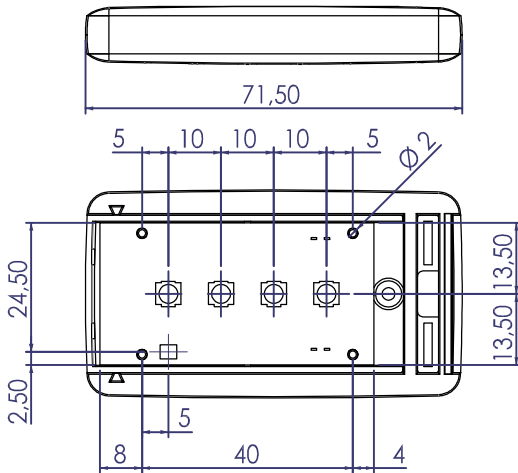
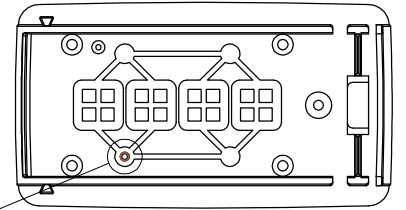
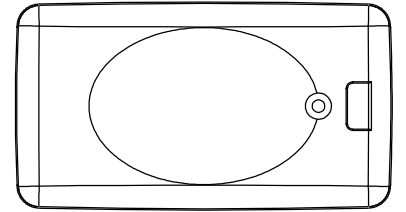
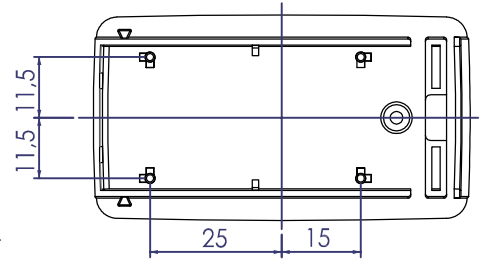


SEZIONE A-A



SEZIONE B-B

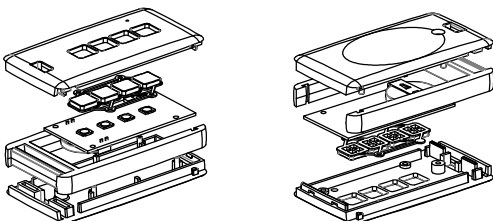
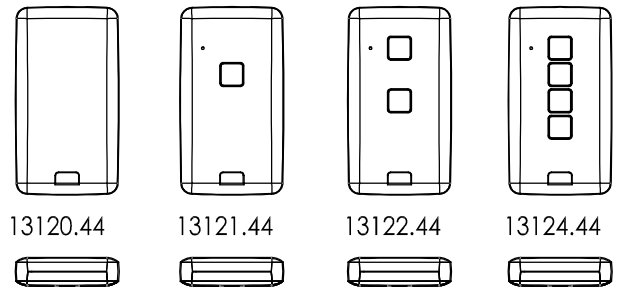
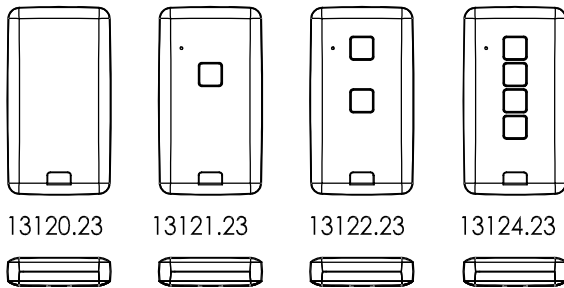
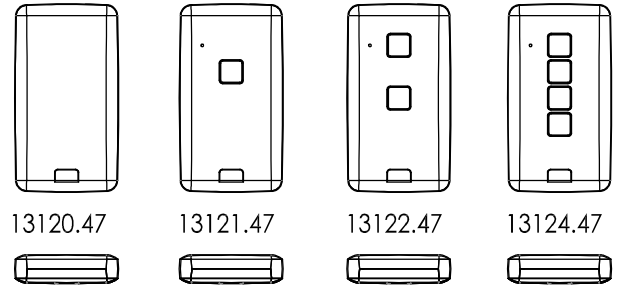
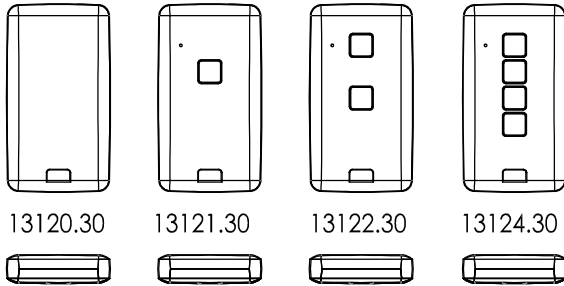


Small pillar to be used for push button orientation

Proprietary and Confidential	TEKO S.p.A. Via dell'Industria 5 - S.Lazzaro di Savena - BO - IT			
	Subject to technical modification without prior notice. Tipographical and others errors do not justify any claim for damages. All dimensions should be verified using an actual moulded part.			
	Part Number:	Date:	Sheet:	First angle prj.
	REMO-TEK	07/11/2014	1 of 2	
This document contains proprietary information of TEKNO S.p.a. and is rendered subject to the conditions that the information be retained in confidence not be reproduced or copied and not be used or incorporated in any product			Size:	Scale:
			A4	1:1

**Light gray plastic side bumper**

**Polished chrome side bumper**



Proprietary and Confidential	TEKO S.p.A. Via dell'Industria 5 - S.Lazzaro di Savena - BO - IT			
	Subject to technical modification without prior notice. Tipographical and others errors do not justify any claim for damages. All dimensions should be verified using an actual moulded part.			
	Part Number:	Date:	Sheet:	First angle prj.
	REMO-TEK	07/11/2014	2 of 2	
This document contains proprietary information of TEKNO S.p.a. and is rendered subject to the conditions that the information be retained in confidence not be reproduced or copied and not be used or incorporated in any product			Size:	Scale:
			A4	1:1