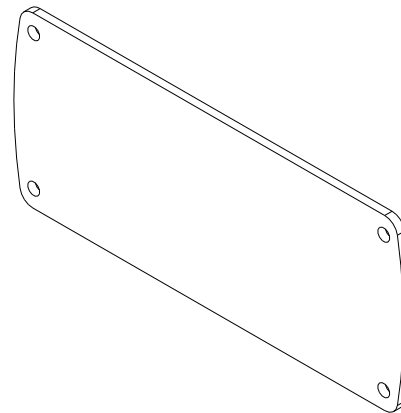

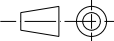


ALP-3



	Denomination	Part. Number	
	<p style="text-align: center;"><b>Accessory ALP-3</b></p> <p style="text-align: center;">Subject to technical modification without prior notice. Tipographical and other errors do not justify any claim for damages. All dimensions should be verified using an actual moulded part.</p>	Rev. Index	Scale
	<p>This document contains proprietary information of <b>TEKO S.p.a.</b> and is tendered subject to the conditions that the information be retained in confidence not be reproduced or copied and not be used or incorporated in any product.</p>	Date	Format design
		05/05/2005	A4