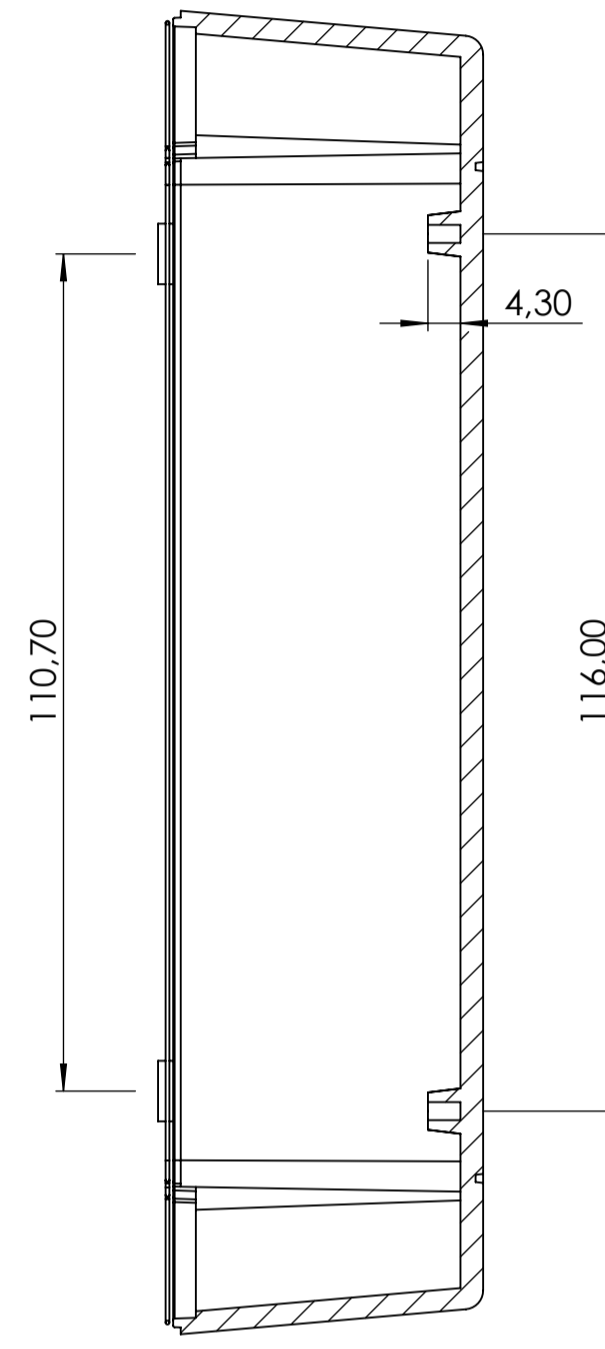
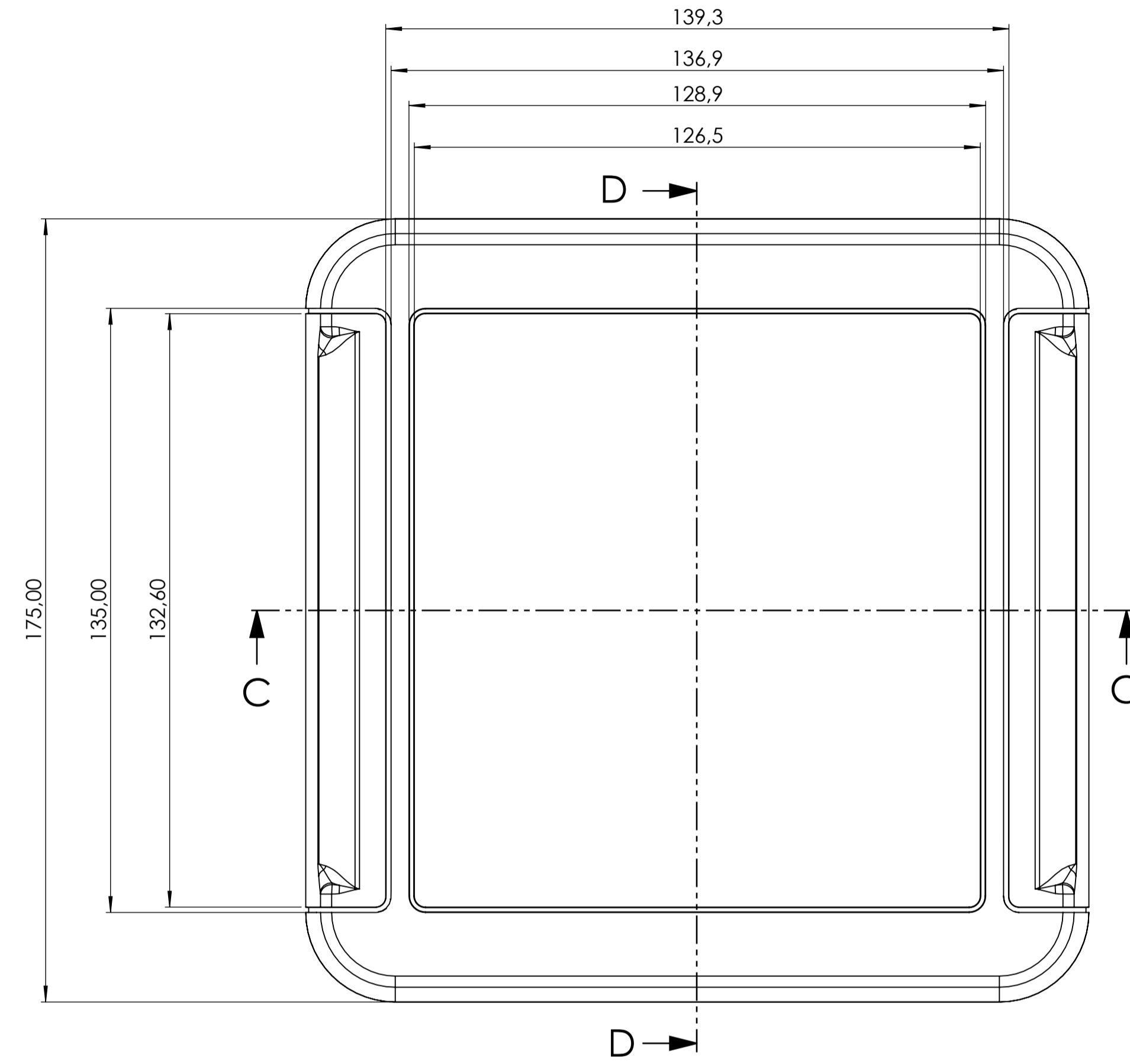
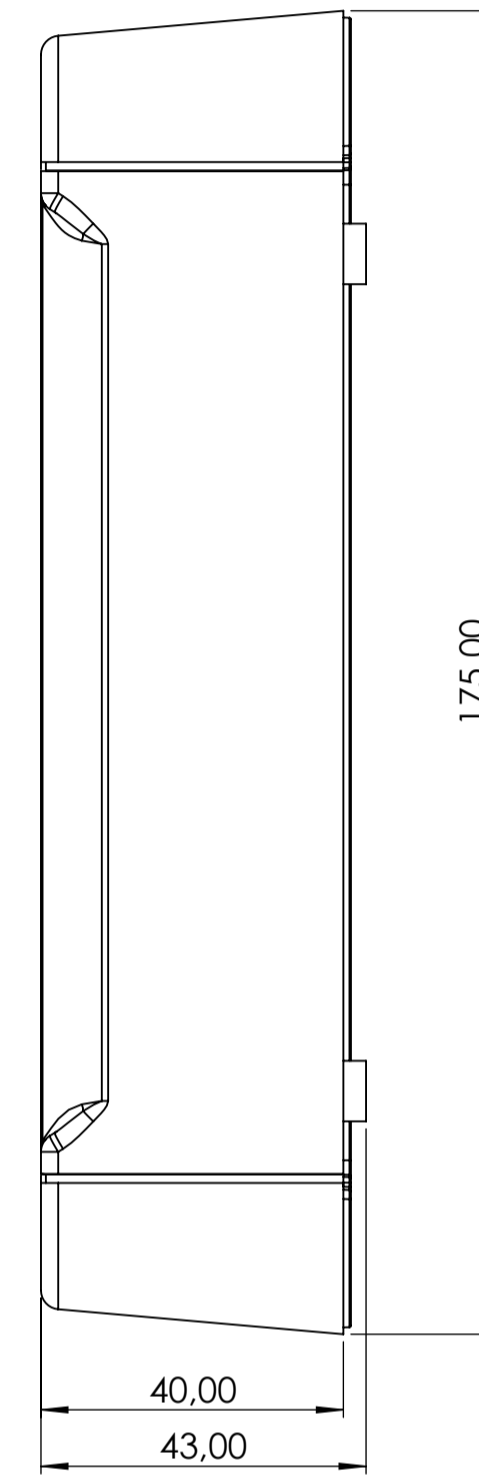
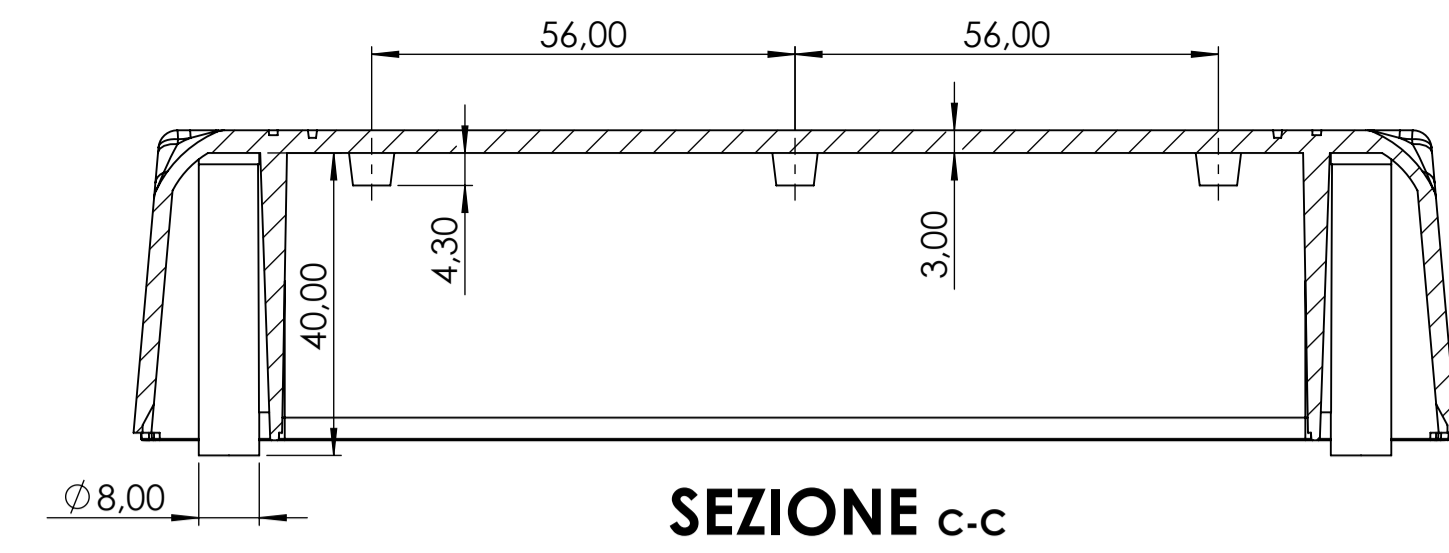
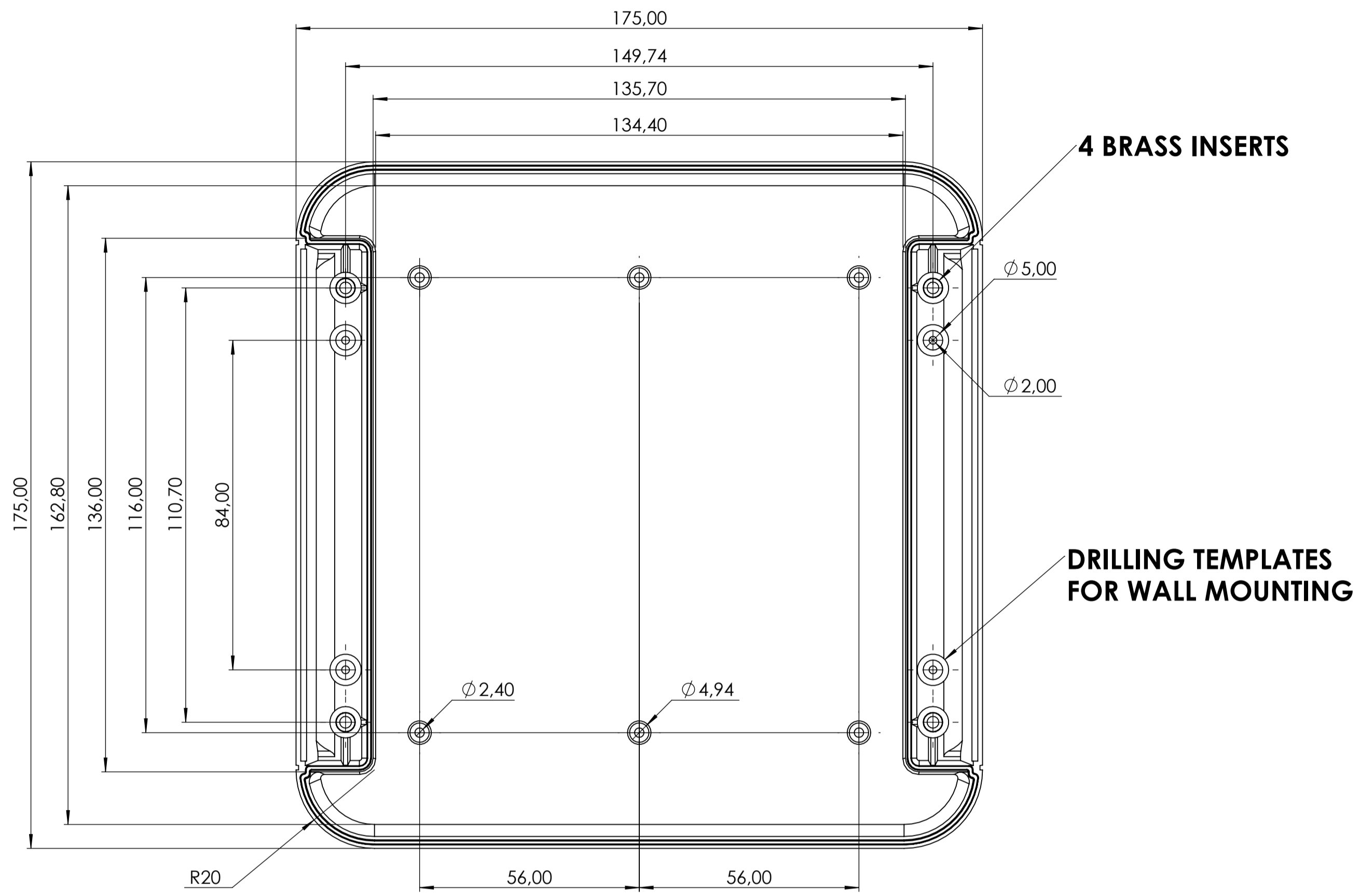


# BOTTOM INTERNAL VIEW



# PCB MAX SIZE

